

LF 33

Spare Parts.....	1
Figure A: Machine Assembly	1
Figure B: Wire Drive Assembly	3
Electrical Schematic	4
WEEE	6



Spare Parts

SP50214 R EV07A
08/11

ASSEMBLY PAGE NAME			Machine Assembly	Wire Drive Assembly					
CODE NO.:	K NO.:	FIGURE NO.:	A	B					
50214	K14030-1W	LINC FEED 33	1	1					

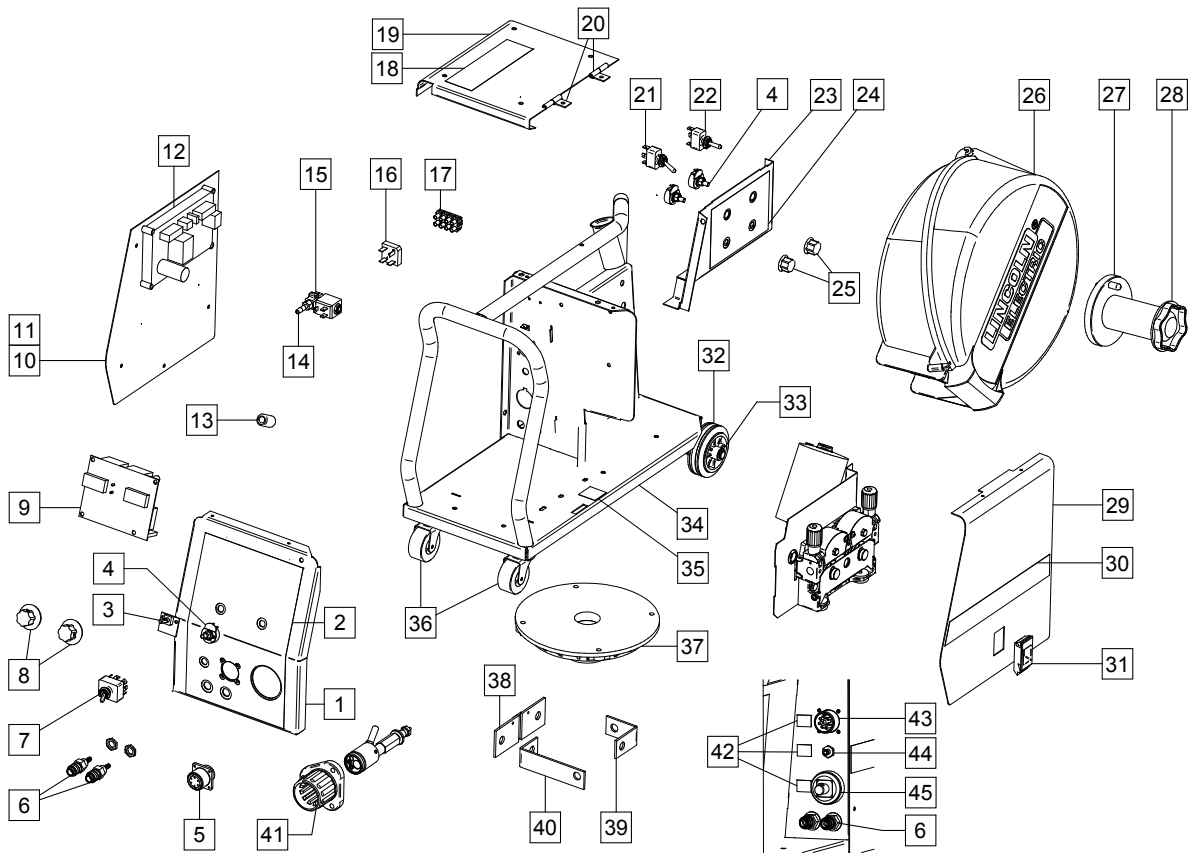


Figure A

Figure A: Machine Assembly

Item	Description	Part Number	QTY	1	2	3	4	5	6	7
1	FRONT PANEK	R-3019-027-1/08R	1	X						
2	STICKER	2719-107-170R	1	X						
3	P.C. BOARD PD-5	0918-432-073R	1	X						
4	POTENTIOMETERS	1158-113-304R	3	X						
5	REMOTE SOCKED	1158-641-008R	1	X						
6	QUICK CONNECTOR FEMALE	0744-000-152R	4	X						
7	SWITCH S8	1115-280-003R	1	X						
8	KNOB	9ET10491R	2	X						
9	P.C. BOARD US-67	0918-432-068R	1	X						
10	LEFT SIDE PANEL WITH STICKER	R-8040-065-1R	1	X						
11	STICKER	2719-107-252R	1	X						
12	P.C. BOARD G4560	C-3731-399-2R	1	X						

13	FERRITE CORE	1158-290-036R	1	X						
14	COUPLER	D-1901-037-1R	1	X						
15	GAS SOLENOID	W8500004R	1	X						
16	BRIDGE RECTIFIER	1156-112-044R	1	X						
17	TERMINAL BLOCK	1131-990-005R	4	X						
18	STICKER	2719-107-728R	1	X						
19	COVER	R-3019-025-1/02R	1	X						
20	HINGLE	D-3574-007-1/33R	2	X						
21	SWITCH S7	1115-280-005R	1	X						
22	SWITCH S6	1115-280-004R	1	X						
23	DIVIDER	R-3019-029-1/08R	1	X						
24	STICKER	2719-107-973R	1	X						
25	KNOB	9ET13639-3R	2	X						
26	PLASTIC COVER	R-0010-178-1R	1	X						
27	REEL HUB STANDARD	0744-000-192R	1	X						
28	PLASIC NUT	B11035-1	1	X						
29	RIGHT SIDE PANEL	C-2722-398-1/02R	1	X						
30	STICKER	2719-107-251R	1	X						
31	LOCK	0654-610-004R	1	X						
32	REAR WHEELS	1029-660-081R	2	X						
33	AXLE	R-2013-021-1R	1	X						
34	RACK	R-3019-023-1/08R	1	X						
35	STICKER	2719-107-732R	1	X						
36	FRONT WHEELS	1029-660-003R	2	X						
37	ROTARY BRACKET	1361-598-180R	1	X						
38	SHUNT	0941-712-030R	1	X						
39	CONDUCTOR RAIL	R-1010-007-1R	1	X						
40	CONDUCTOR RAIL	R-1010-008-1R	1	X						
41	EURO SLEEVE	1361-599-708R	1	X						
42	STICKER	R-0010-354-1R	1	X						
43	SOCKET X11	1158-641-129R	1	X						
44	QUICK CONNECT COUPLING	0744-000-149R	1	X						
45	SOCKET X5	D-2985-002-1R	1	x						
46	WIRING HARNESS (NOT SHOWN)	R-7040-022-1R	1	X						

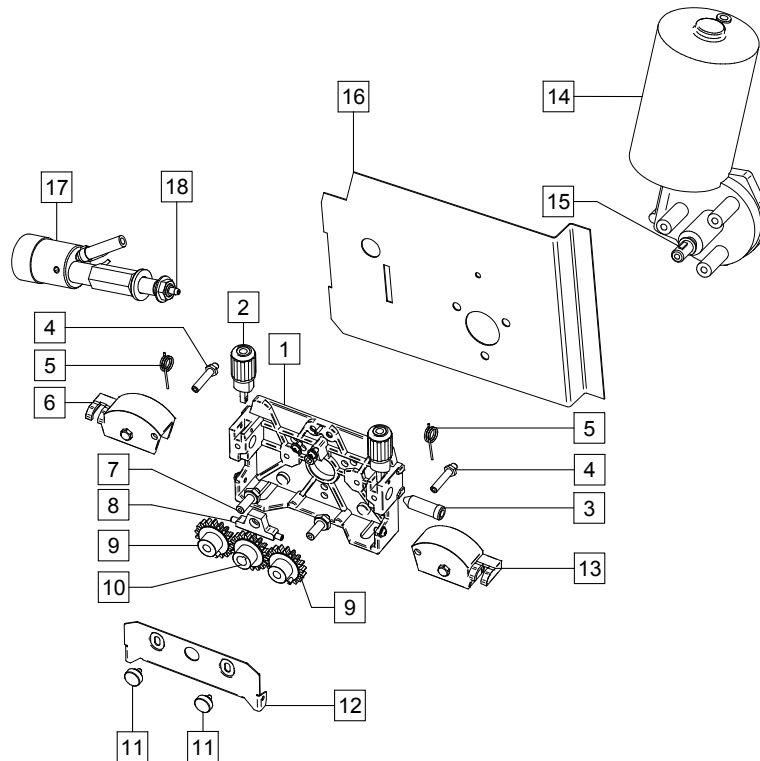
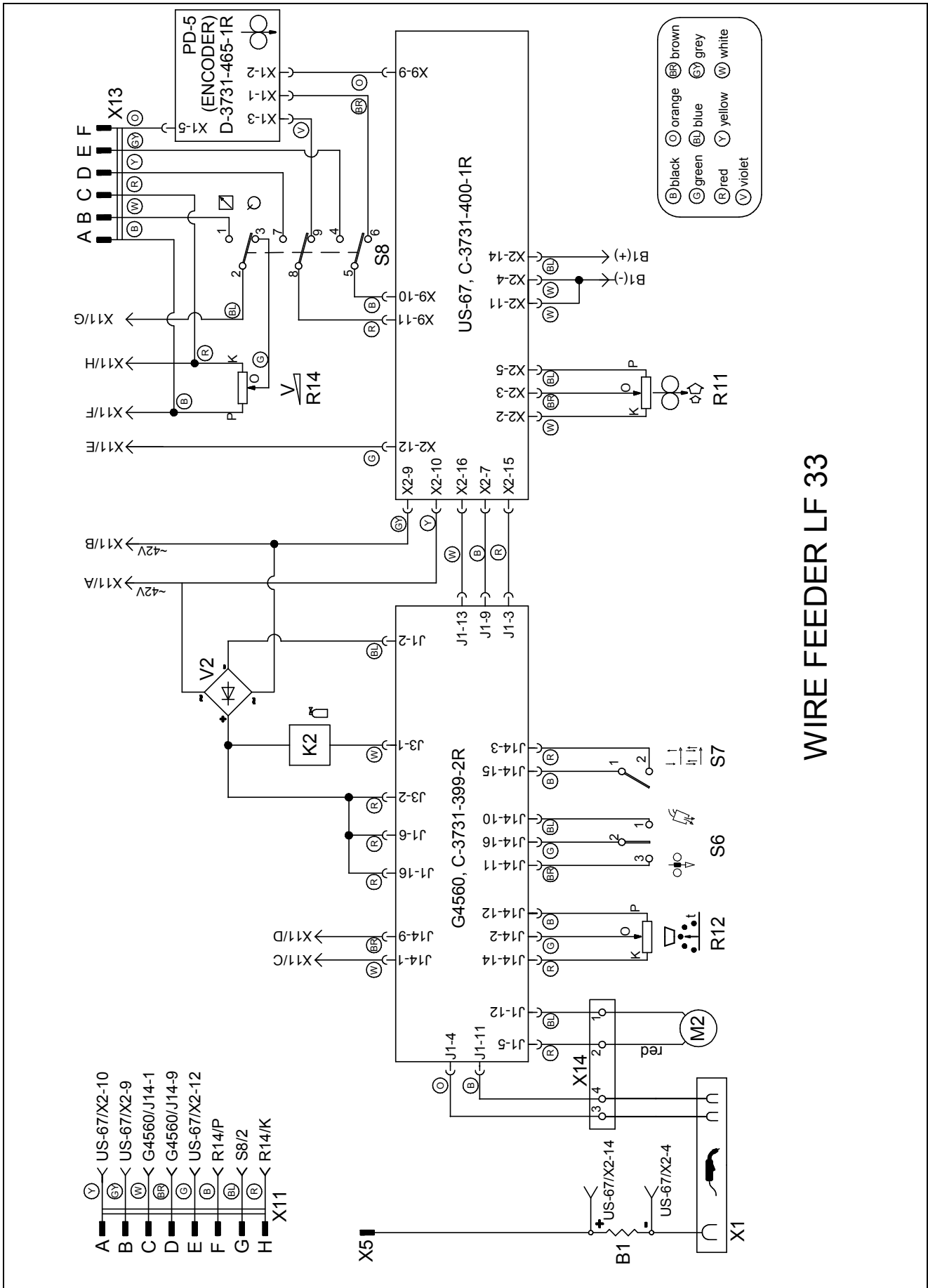


Figure B

Figure B: Wire Drive Assembly

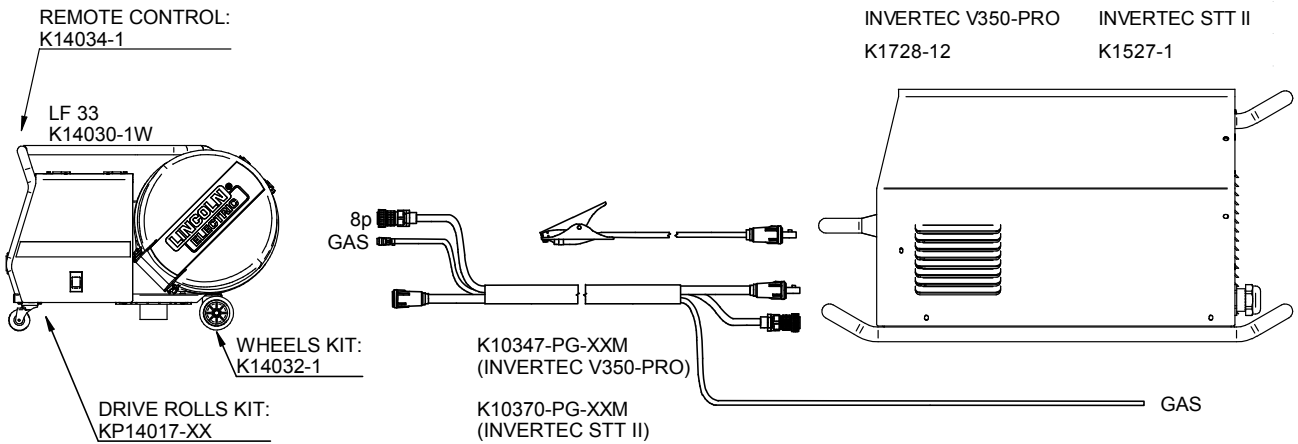
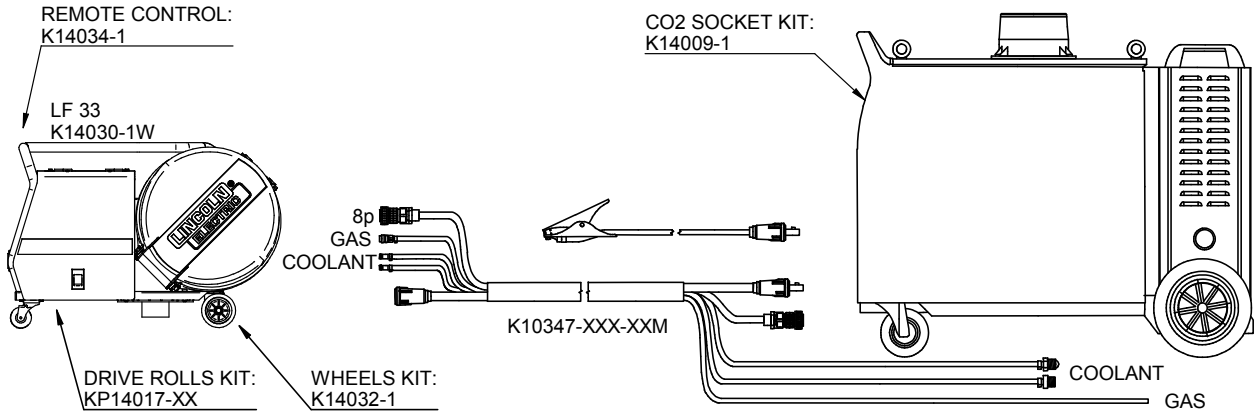
Item	Description	Part Number	QTY	1	2	3	4	5	6	7
	WIRE DRIVE ASSEMBLY	0744-000-241R	1	X						
1	FEED PLATE	0646-233-002R	1	X						
2	FIXING ARM COMPL.	0646-233-015R	2	X						
3	INLET GUIDE	0646-233-025R	1	X						
4	AXIS PRESSURE ARM	0646-233-003R	2	X						
5	SPRING PRESSURE ARM	0646-233-013R	2	X						
6	PRESSURE ARM COMPL.L	0646-233-007R	1	X						
7	AXIS DRIVE ROLL	0646-233-020R	1	X						
8	INTERMEDIATE GUIDE	0646-233-023R	2	X						
9	GEAR WHEEL ROLL	0646-231-090R	2	X						
10	GEAR WHEEL MOTOR	0646-233-028R	1	X						
11	FIXING CAP	0744-000-190R	2	X						
12	METAL COVER	0646-233-027R	1	X						
13	PRESSURE ARM COMPL.R	0646-233-005R	1	X						
14	MOTOR M2	1111-722-047R	1	X						
15	WOODROF KEY	0646-231-102R	1	X						
16	DIVIDER	C-2722-409-1/08R	1	X						
17	EURO SOCKET (outlet guide) X1	R-8040-042-1R	1	X						
18	OUTLET GUIDE	R-2010-006-1R	1	X						

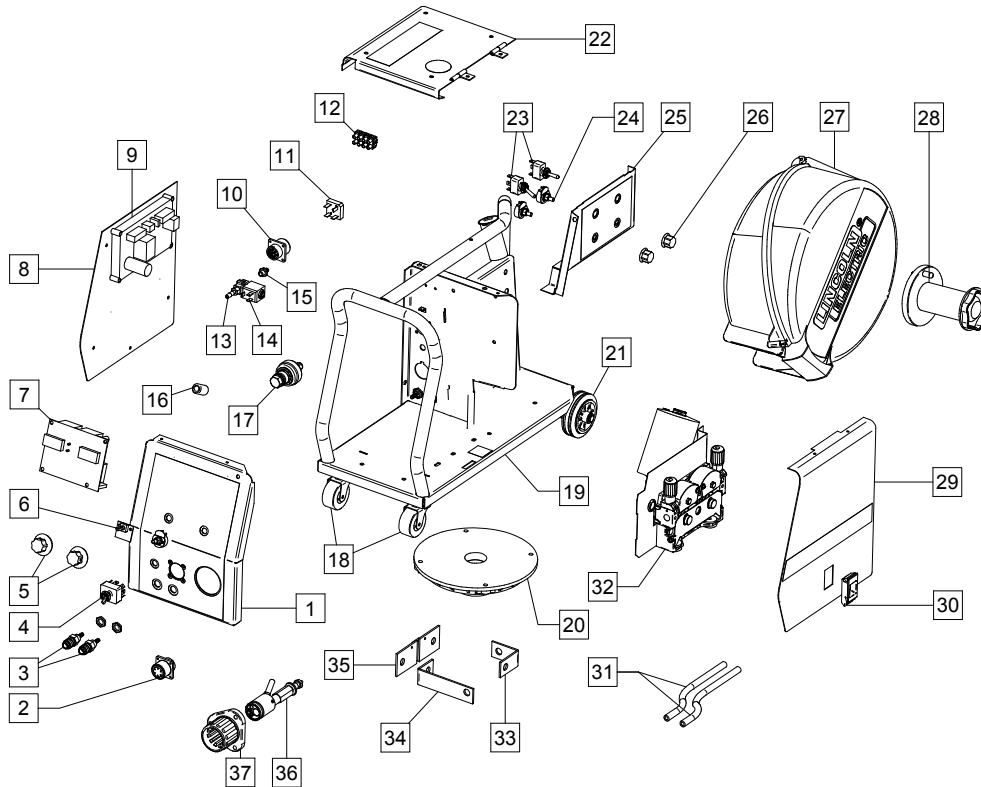
Electrical Schematic



LF 33 code 50214 Connection Diagram

CV 420 AIR	CV 505 AIR
K14028-3A	K14029-3A
K14028-2A	K14029-2A
CV 420 WATER	CV 505 WATER
K14028-3W	K14029-3W
CV 420 AIR	CV 505 AIR
K14080-1A	K14081-1A
K14080-2A	K14081-2A





Ref.	Recycle				ST				
	Fe	Al	Cu	Brass	Boards	Plastics	Liquid Cristal	External Electric Cables	Capacitors
FRONT PANEL	1	X							
RACK	19	X							
DIVIDER	25	X							
RIGHT SIDE PANEL	29	X							
LOCK	30					X			
LEFT SIDE PANEL	8	X							
COVER	22	X							
P.C. BOARD	6, 7, 9				X				
WIRE REEL SPINDLE	28	X		X		X			
PLASTIC COVER	27					X			
CONDUCTOR RAIL	33, 34		X						
SHUNT	35		X						
COVER	9	X							
EURO SOCKET	36			X					
EURO SLEEVE	37					X			
WHEELS	18, 21	X				X			
CONTROL SOCKET	2, 10, 17	X	X			X			
COUPLER	3, 13, 15								
SWITCHES	4, 23	X		X					
KNOB	5, 26					X			
POTENTIOMETERS	24	X		X					
RECTIFIER BRIDGE	11	X				X			
WIRE FEEDER	32	X	X			X			
ROTARY BRACKET	20					X			
HOSES	31					X			
TERMINAL BLOCKS	12	X	X			X			
FERRITE CORE	16	X							